



Resaw Guide Instructions

#KMS7213 & #KMS7214

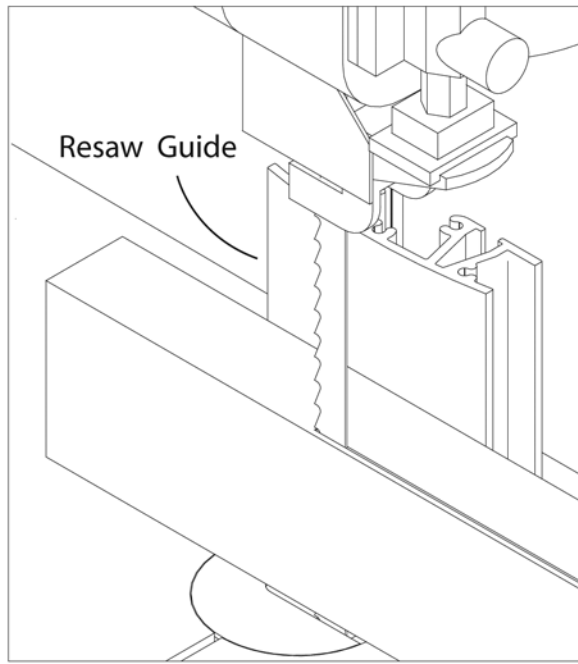


Fig. 1

With the ability to make straight or curved cuts in wood of all thicknesses, the bandsaw packs more creative potential than any other woodworking machine. In its repertoire of cutting capability, resawing is very important. Resawing enables you to transform thicker lumber into stock of proper dimension for a particular project. You can exploit the beauty of a single board or log by resawing into flitches that can be bookmatched or used in other combinations. You can make your own veneer, resawing pieces as thin as 1/16" with great precision. Resawing on the bandsaw requires a well-tuned bandsaw equipped with the right blade.

Picking a Blade

The blade to use for resawing is the widest one that your saw can handle. This means a 1/2-in. blade for most bandsaws with wheels 14 in. in. diameter or smaller. For resawing, we recommend a 3 tpi (tooth per inch) hook blade. Sharpness is crucial, so start with a new or freshly sharpened blade.

Tensioning the Blade

Blade tension is frequently debated among bandsaw users. But one simple rule won't stir up controversy: As the blade grows dull, more tension is required to make accurate cuts. The trouble is, increased tension is a poor substitute for sharp teeth. If your saw is well-adjusted and you have a sharp blade, set the blade tension to 3/4 in. on the tensioning scale. If your saw doesn't have a tension scale, tension the blade so that finger pressure will cause it to deflect no more than 1/4 in. over 6 in. of length.

Guiding Options

There's more than one way to guide the workpiece when you resaw. Some woodworkers like to guide the workpiece against a narrow or pointed edge that is positioned vertically on the table and perpendicular to the saw blade. The narrow line of contact makes it easy to compensate for a blade that "leads" or wanders off the cutting line when the stock is fed straight into it. You can get satisfactory results with the "single point" method, but it demands very careful hand control, so it's not a good choice if you have any volume of work to do.

The curved resaw guide is the best option for guiding wood through the bandsaw,

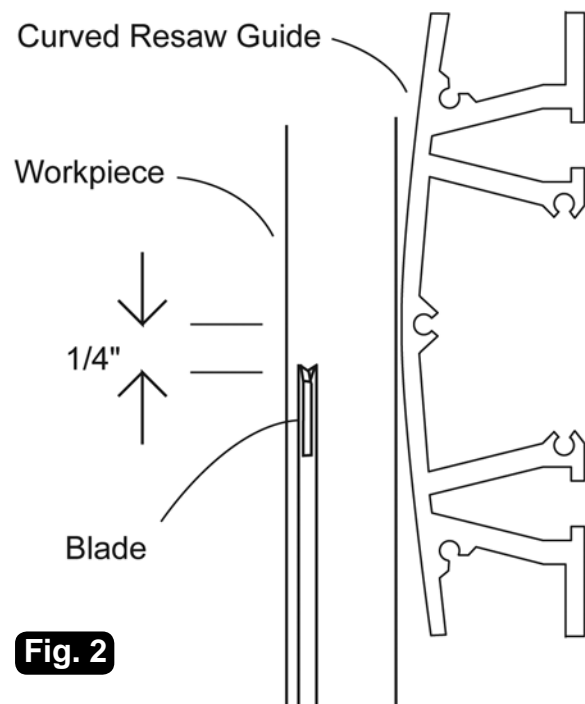


Fig. 2

Resawing the Easy Way

Here's how you can resaw precisely and easily using a curved fence. First, test blade lead. Pencil a straight line down the edge of a square-edged board. Start sawing along your layout line, guiding the board freehand. If the blade is leading, you'll have to feed the board into the blade at an angle to keep cutting along the line. Stop the cut in the middle of the board and mark the lead angle on the table with a pencil. You can test the lead angle by cutting some scrap of the same species and dimensions as the piece your planning to resaw. As you adjust the distance between the fence and the blade, make sure to keep the workpiece parallel to the lead line you marked on the table earlier. Check to make sure the blade and fence are square with the table surface. Also check to make sure that the curved fence is square to the table.

It bolts to the top T-slot on the Kreg Fence with two 3/4" bolts and brass thumb nuts. The middle of the curved fence should be positioned about 1/4" in front of the blade as shown in figure 3.

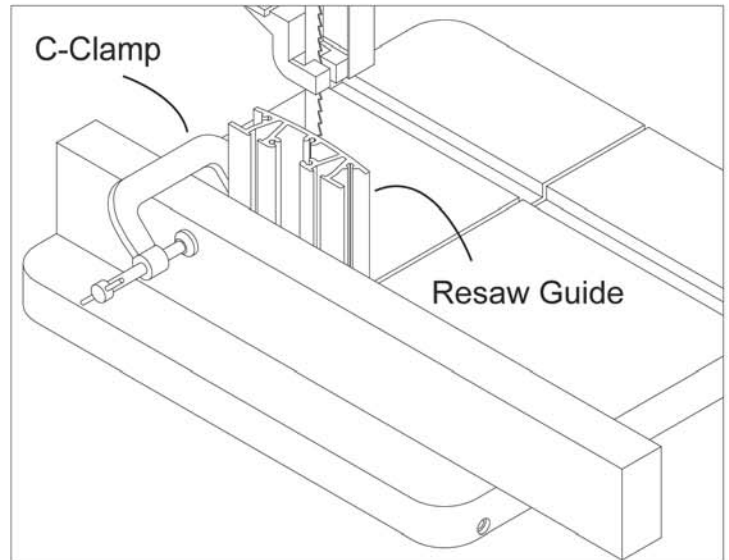


Fig. 3

The curved fence is designed to attach to a standard fence such as a Delta or Jet. To attach it to a fence you need to either drill two holes or attach it to the fence with small clamps as shown in figure 4.

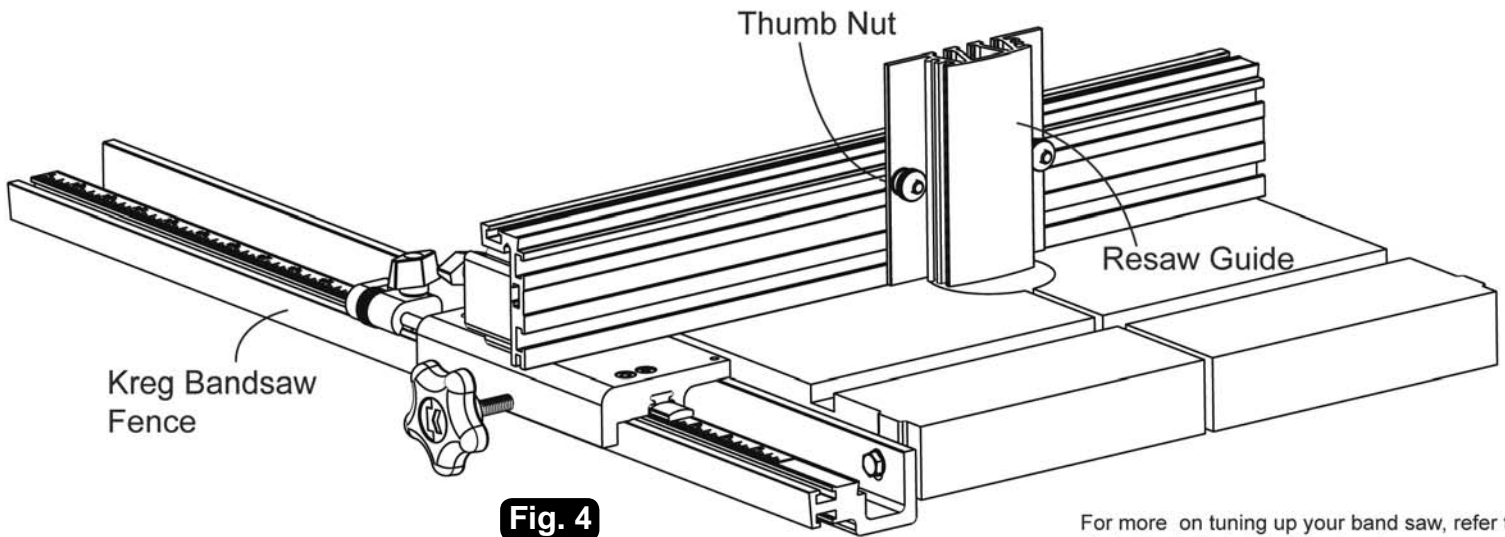


Fig. 4

For more on tuning up your band saw, refer to Mark Duginske's band saw books; *The Band Saw Handbook* and *Band Saw* (a shop reference)

WARNING: This product contains one or more chemicals known to the State of California to cause cancer and birth defects or other reproductive harm. **Wash hands after handling.**

Kreg products are made in the USA and are protected by one or more of the following U.S. Patents: #5,337,641, #5,493,789, #5,617,909, and #5,768,966. Other patent applications are pending or granted.



KREG TOOL COMPANY
201 Campus Drive Huxley, IA 50124

www.kregtool.com

800.447.8638